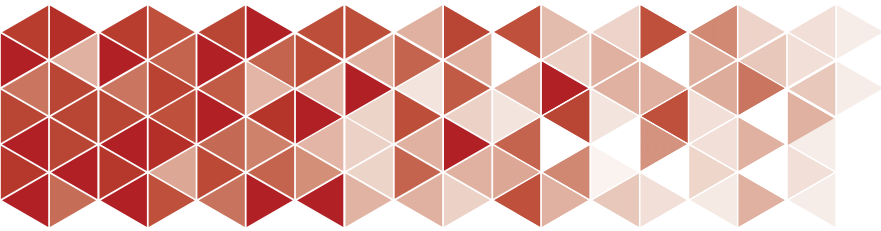


II-VI



FiberLightTM

1 μ m SHEET METAL CUTTING HEAD

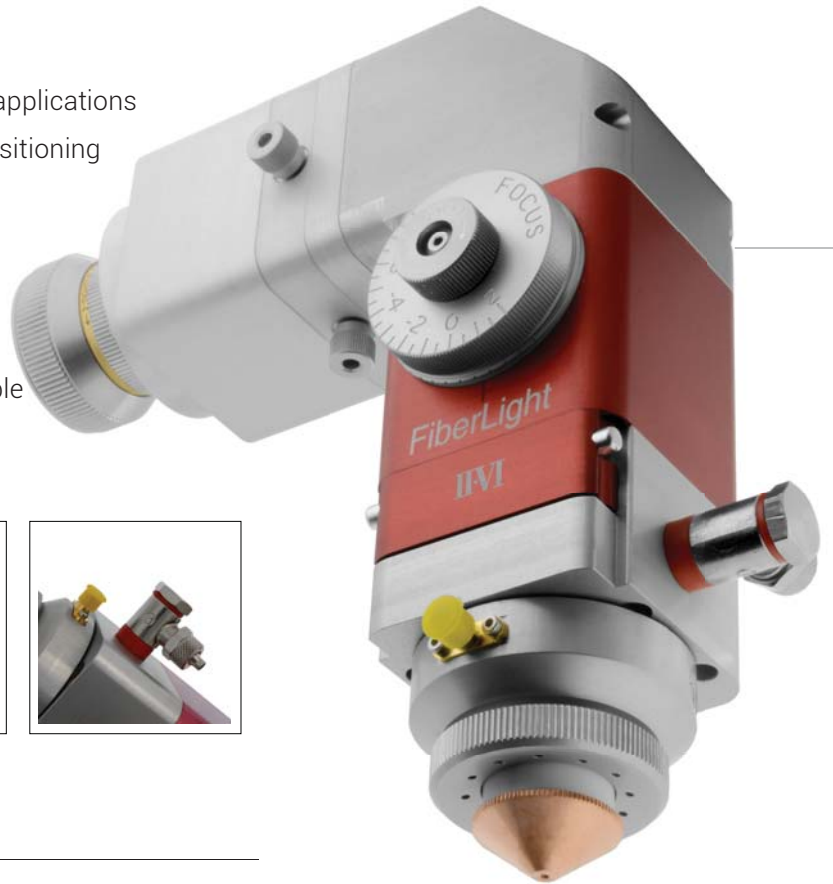
FiberLight™

1µm SHEET METAL CUTTING

The FiberLight S and the FiberLight 90 have a compact, modular design which allows II-VI to provide the user with an extensive range of cutting solutions. The FiberLight is capable of processing a variety of materials and thickness due to its robust, yet agile design. The FiberLight offers the end user superior performance in a convenient and cost effective cutting head.

Features

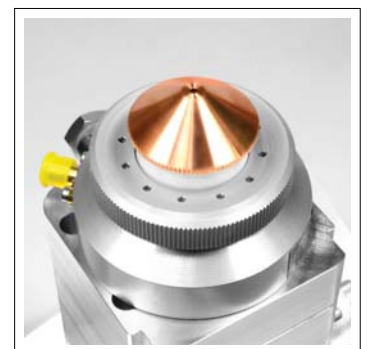
- Compact, lightweight and versatile design for 2D or 3D applications
- Oversized adjustment dial for simple and clear focus positioning
- Available with a straight design or a 90° turning option
- 10mm focus adjustment range
- Modular design allows user to select from 6 different magnifications to achieve the optimal spot size
- Custom mounting plate and water cooled option available
- Quick Cover Slide exchange drawer
- Optional height sensor electronics



Optical Specifications

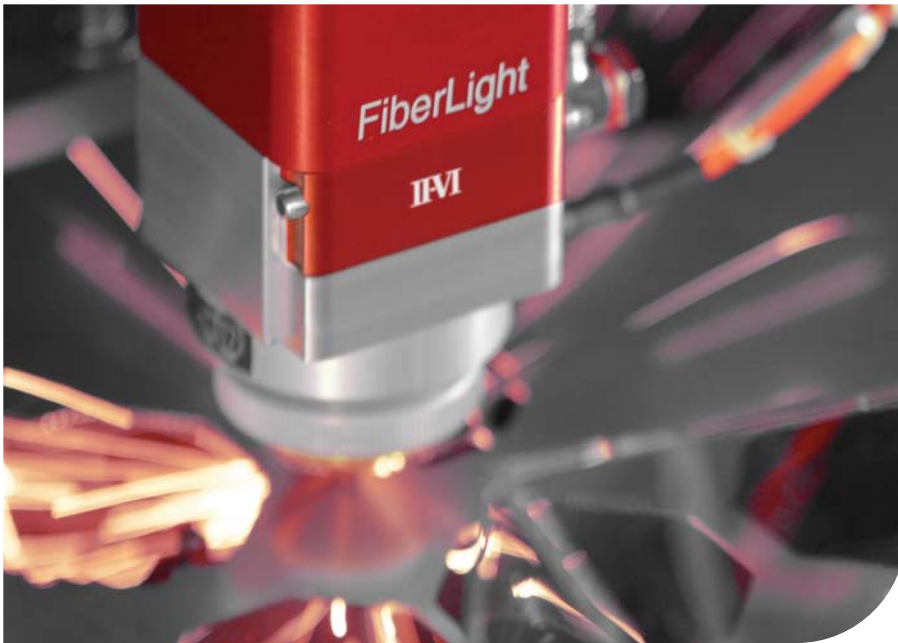
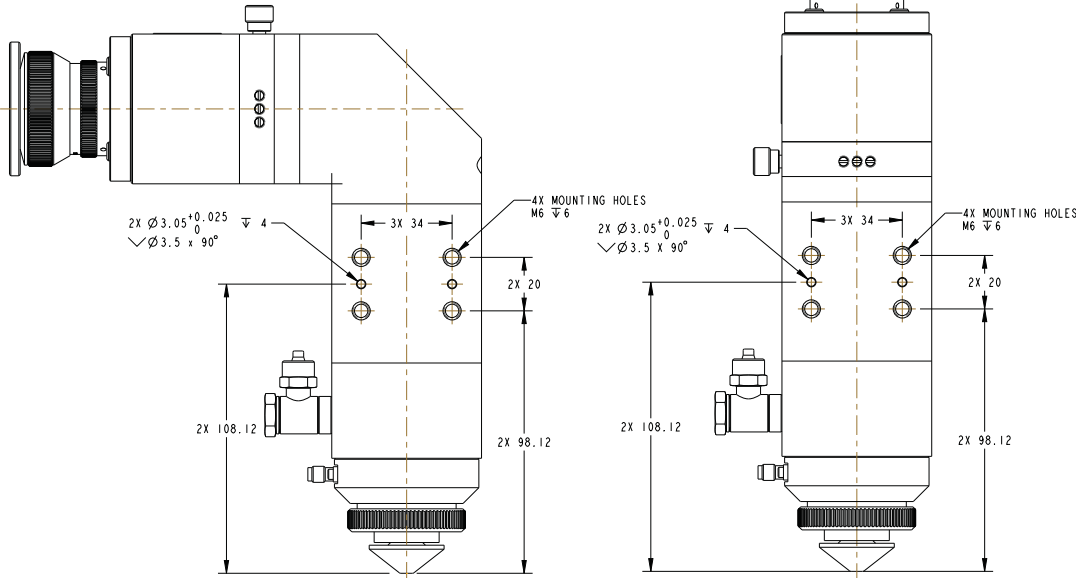
Maximum Laser Power	2kW
Laser Wavelength	1.025 - 1.08µm
Laser Light Receiver	QBH, QCS, PIPA
Collimator Focal Lengths	60mm, 72mm
Focusing Lens Focal Lengths	90mm, 120mm, 180mm
Magnifications*	1.25x, 1.5x, 1.67x, 2.0x, 2.5x, 3.0x
Clear Aperture of Lens System	19mm
Transmission	>97%
Centering Adjustment	±1mm in X & Y Axis
Cover Slide for Focusing Lens	Sealed Drawer Type

* Custom Magnifications available upon request



FiberLight S with 60mm Collimator

FiberLight 90 with 60mm Collimator



Cutting Nozzle Specifications

Nozzle Style	Single
Tip Diameters	1.0mm to 3.0mm
Focus to Nozzle Position Adjustment Range	+2.0mm to -8.0mm
Maximum Cutting Assist Gas Pressure*	25 bar
Gas Types	Both Inert and Active

* Standard FiberLight max. pressure 20 bar

Height Sensor Electronics*

Power Requirements	24 Volts DC
Output - Linearized	0 - 10V Analog
Calibration	Manual
Response Time	<1ms
Tip Wire Cable Length	2 Meters
Height Sensing Range	10mm

* Available upon request



WORLDWIDE SALES OFFICES

To place an order, contact a II-VI sales representative at any of the following locations, or visit www.ii-vi.com/contact for our most complete and up-to-date contact information.

**II-VI INFRARED**

375 SAXONBURG BLVD
SAXONBURG, PA 16056
USA
888.558.1504 (Toll free in USA)
T. 724.352.1504
F. 724.352.4980
info@ii-vi.com

II-VI WEST

36570 BRIGGS ROAD
MURRIETA, CA 92563
USA
800.262.5273 (Toll free in USA)
T. 951.926.7640
F. 951.926.1984
info@ii-vi.com

II-VI BENELUX N.V.

BAAIKENSSTRAAT 21/2
B-9240 ZELE
BELGIUM
T. 32.0.52.45.86.10
F. 32.0.52.45.86.11
sales@ii-vi.be

II-VI DEUTSCHLAND GmbH

BRUNNENWEG 19-21
D-64331 WEITERSTADT
GERMANY
T. 49.6150.54.39.226
F. 49.6150.54.39.200
ir.info.de@ii-vi.com

II-VI ITALIA S.r.l.

VIA ANDREA COSTA
31-20131 MILANO
ITALY
T. 39.02.2828740
F. 39.02.26149131
info@ii-vi.it

II-VI SUISSE S.a.r.l.

CHEMIN DU RIONZI 54
CH-1052 LE MONT-SUR-LAUSANNE
SWITZERLAND
T. 41.2186.902.52
F. 41.2186.902.59
info@ii-vi.ch

II-VI UK LTD.

21 BURLEY ROAD
OAKHAM, RUTLAND
LE15 6DH
UNITED KINGDOM
T. 44.1572.771.778
F. 44.1572.771.779
sales@ii-vi.co.uk

II-VI JAPAN

WBG MARIVE EAST 26F
NAKASE 2-6-1
MIHAMA-KU, CHIBA-SHI
CHIBA 261-7126
JAPAN
T. 81.43297.2693
F. 81.43297.3003
center@ii-vi.co.jp

II-VI SINGAPORE PTE. LTD.

BLK. 5012, TECHPLACE II
#04-07 & 05-07/12,
ANG MO KIO AVE. 5
SINGAPORE 569876
T. 65.6481.8215
F. 65.6481.8702
info@ii-vi.com.sg

II-VI INFRARED LASER(SUZHOU)

BLOCK D#01-01/02
NO. 5 XING HAN STREET
SUZHOU INDUSTRIAL PARK
SUZHOU, CHINA 215101
T. 86.512.6761.9295
F. 86.512.6767.1207
infosz@ii-vi.com.cn

II-VI KOREA

1502 HANSHIN INTERVALLEY 24,
WEST TOWER. 322 TEHERAN-RO,
GANGNAM-GU,
SEOUL, KOREA 135-731
T. 02.572.3395
F. 02.6499.3395
jchoi@ii-vi.com